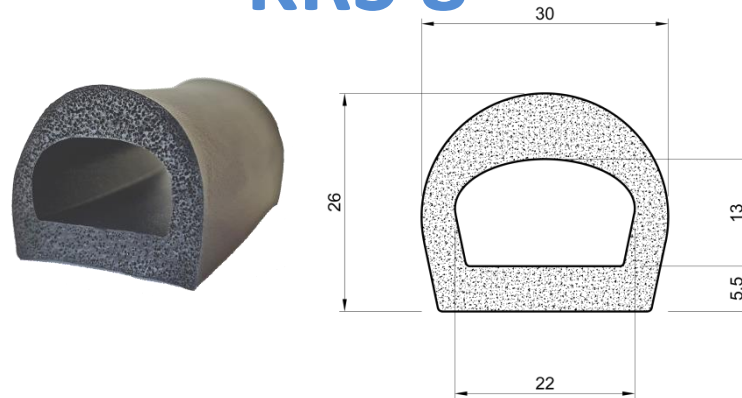


DATA SHEET

KRS 8



COPMPOUND REFERENCE: EPS 0.6

MATERIAL: Closed Cell Expanded EPDM

SPECIFICATION: ATSM D1056, RE43, B2, C1

TEST METHOD	SPECIFICATION	ACTUAL VALUES
Density	0.55 – 0.65 g/cm ₃	0.59 g/cm ₃
B2		
Compression Set 22 Hrs @ R.T	50% Deflection 25% Max.	18%
C1		
Weather Resistance	No Cracks	No Cracks
Compression Deflection	25% 11 (+ / - 2 PSI)	10 PSI
Heat aging 7 days @ 70°c		
Deflection Change	+/- 30%	+ 15%



T:01527 570570 F: 01527 575200
W: www.kingfisherrubber.co.uk
E: sales@kingfisherrubber.co.uk

